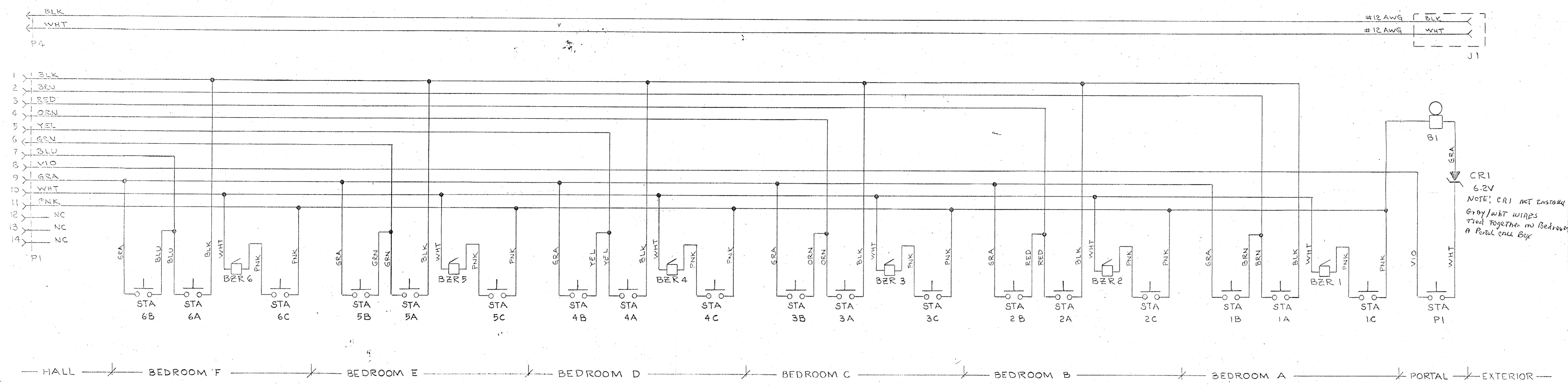


PROPRIETARY NOTICE
 THIS DOCUMENT CONTAINS INFORMATION
 PROPRIETARY TO DYNATECH DATA SYS-
 TEMS. ANY REPRODUCTION, DISCLOSURE
 OR USE OF THIS DRAWING OR ITS CON-
 TENTS IS EXPRESSLY PROHIBITED EX-
 CEPT AS DYNATECH DATA SYSTEMS
 MAY OTHERWISE AGREE IN WRITING.

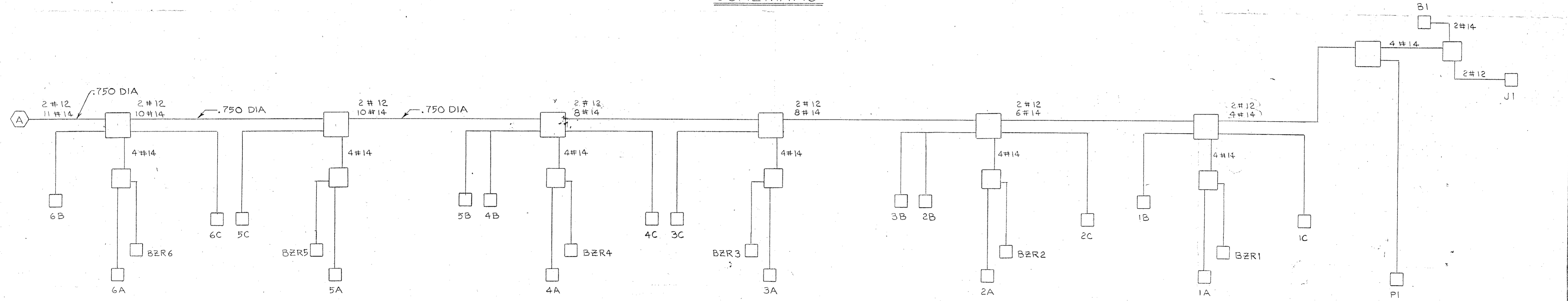
DWG. NO. 160110 SH 2 REV 1

REVISIONS

ECO NO.	REV.	DESCRIPTION	DATE	APPROVED



SCHEMATIC



CONDUIT RISER DIAGRAM

202 ALL LINES CONTAIN 2#14AWG UNLESS NOTED
 201 ALL CONDUIT ARE .500DIA UNLESS NOTED

PRELIMINARY

ITEM NO.		QTY		PART OR IDENT NO.	MANUFACTURER	DESCRIPTION
PARTS LIST						
UNLESS OTHERWISE SPECIFIED DIMENSIONS ARE IN INCHES TOLERANCES ARE FRACTIONS DECIMALS ANGLES						
MATERIAL				APPROVALS		DATE
FINISH				DRAWN		0383
NEXT ASSY				USED ON		ISSUED
APPLICATION				DO NOT SCALE DRAWING		APR 04 1983
SIZE		FSCM NO.		DWG. NO.		REV.
D		56657		160110		1
SCALE				PRTRCL		SHEET 2 OF 4

PORTER CALL SYSTEM
 SCHEMATIC WIRING DIAG.
 CONDUIT RISER DIAG.
 BEDROOMS, HALL AREA